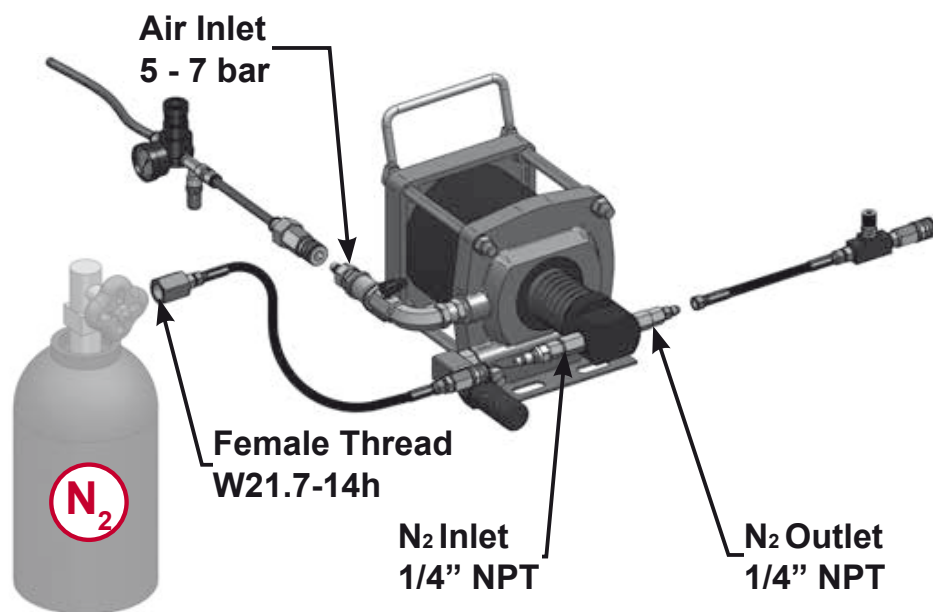


SERVICE EQUIPMENT

Accessories

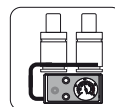


DBNA



OPTIONS

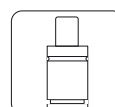
1 - Hosed System



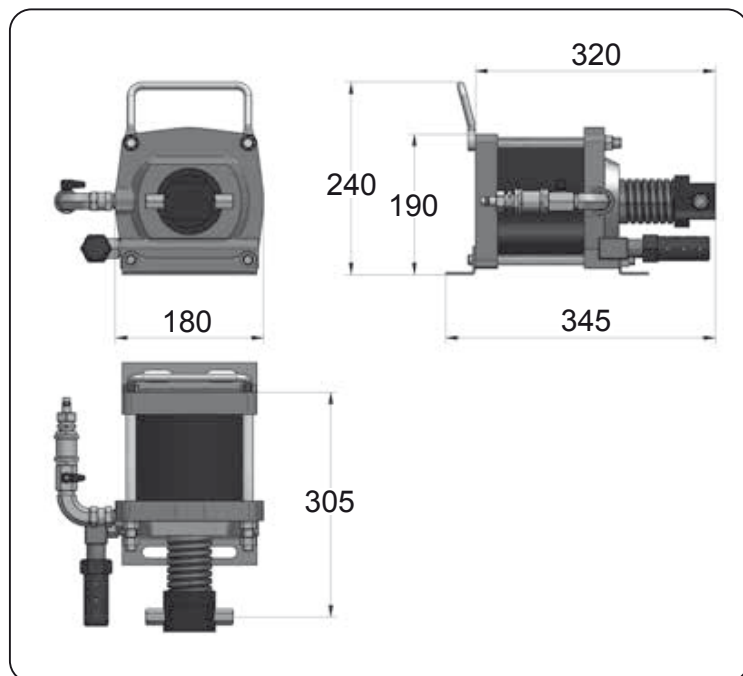
600-CP



2 - Self-contained



A 400 C



ADVANTAGES



- Maximum safety.



- Easy boosting.



- Save costs.



- Increases productivity.

BOOSTER UNIT

DBNA gas booster enables to charge gas springs and manifold systems from your supply tank. The booster is a solution to low pressure supply tank to a minimum of 20 bar (when the tank pressure is lower than the gas springs filling pressure).

TECHNICAL DATA

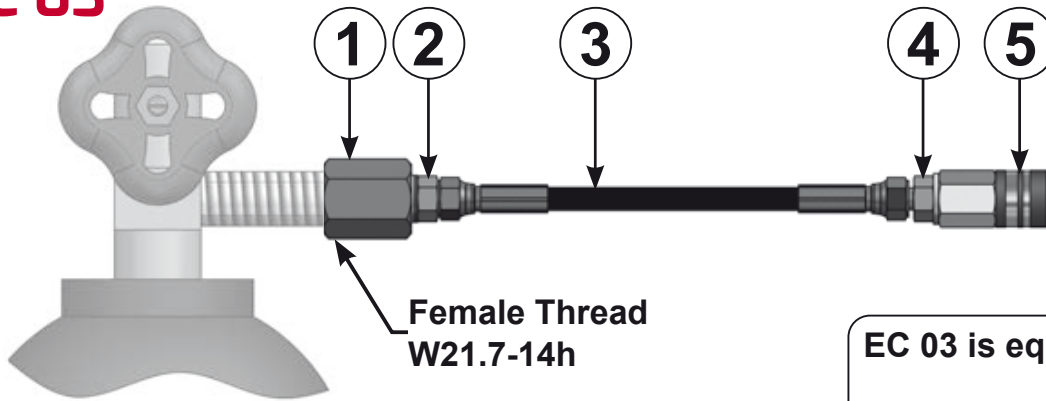
Max. Outlet Pressure (N2)	200 bar
Pneumatic pressure (Air)	5 - 7 bar
Pump ratio (N2/Air)	30:1
Flow	2.8 l/min
Weight	12 Kg



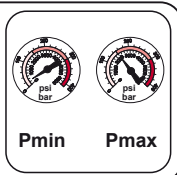
SERVICE EQUIPMENT

Accessories

EC 03



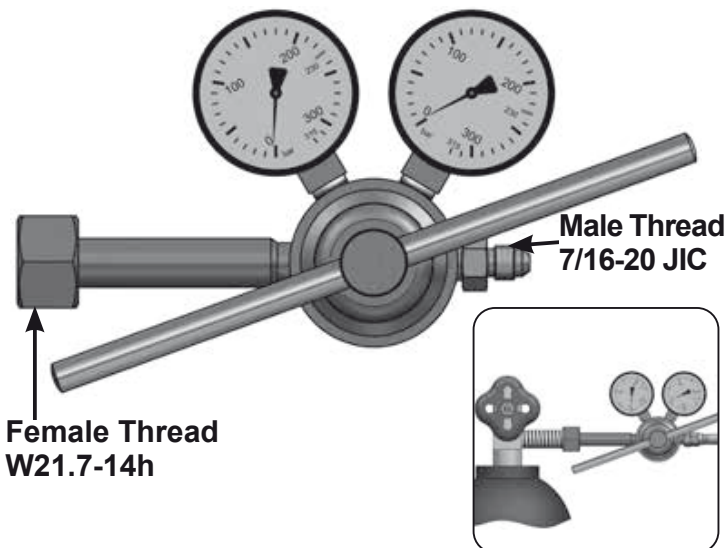
Only to be used with a gauge



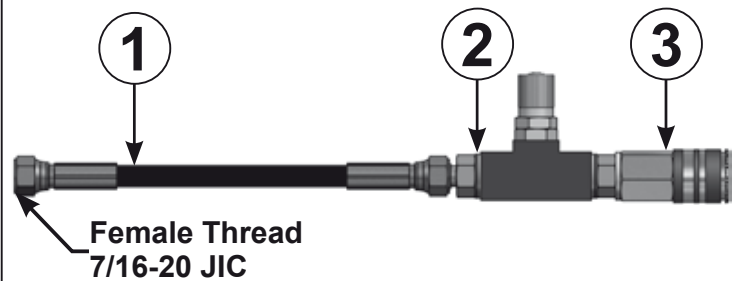
EC 03 is equipped with:

- 1-Adapter **AC 500**
- 2-Adapter **7RM2**
- 3-Hose **TFRR 3000**
- 4-Adapter **7RM4**
- 5-Female Quick Coupling **QCF 1/4**

LTH 600



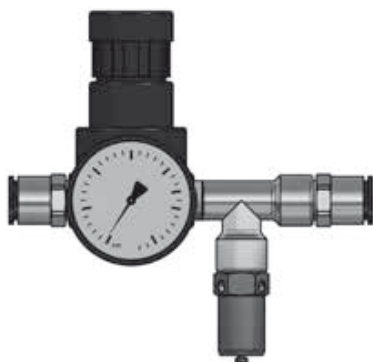
EC 38



EC 38 is equipped with:

- 1-Hose **TFRR 3000**
- 2-Shut off valve **EC VP**
- 3-Female Quick Coupling **QCF 1/4**

DBN-VS

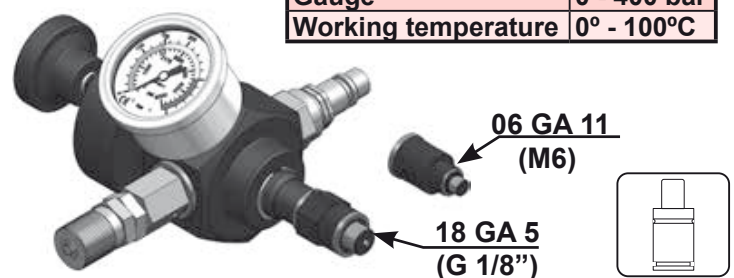


Safety device to prevent over-pressure.

DBN VS limits Air Inlet flow at a maximum of 6 bar.

A 400 C

TECHNICAL DATA	
Fluid	N ₂
Max pressure	210 bar
Gauge	0 - 400 bar
Working temperature	0° - 100°C



A 400 C Filling & Control Unit is used to:

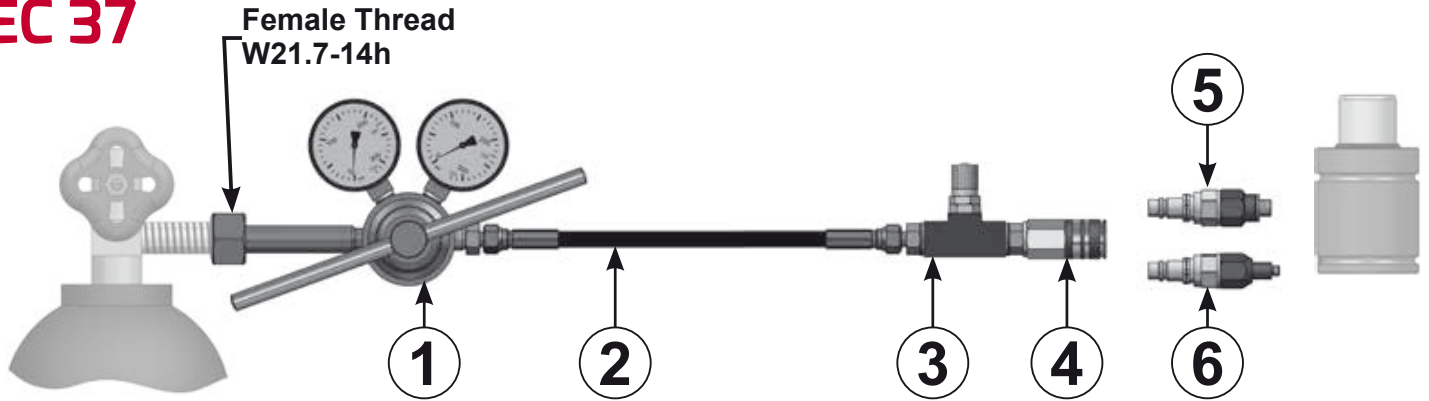
- Verify the pressure
 - Fill and drain the pressure
 - Vary (up / down) the pressure
- Self-contained gas springs

SERVICE EQUIPMENT

Accessories



EC 37











CHARGING UNIT

The Charging Unit EC 37 let you:

- Check the pressure from the nitrogen tank.
- Charging pressure to self-contained gas springs.
- Charging pressure to hoses systems.

EC 37 is equipped with:

- 1-Pressure regulator **LTH 600**
- 2-Hose **TFRR 3000**
- 3-Shut off valve **EC VP**
- 4-Female Quick Coupling **QCF 1/4**
- 5-Charging adapter **18 CG 1-Q (G1/8")**
- 6-Charging adapter **06 CG 2-Q (M6)**

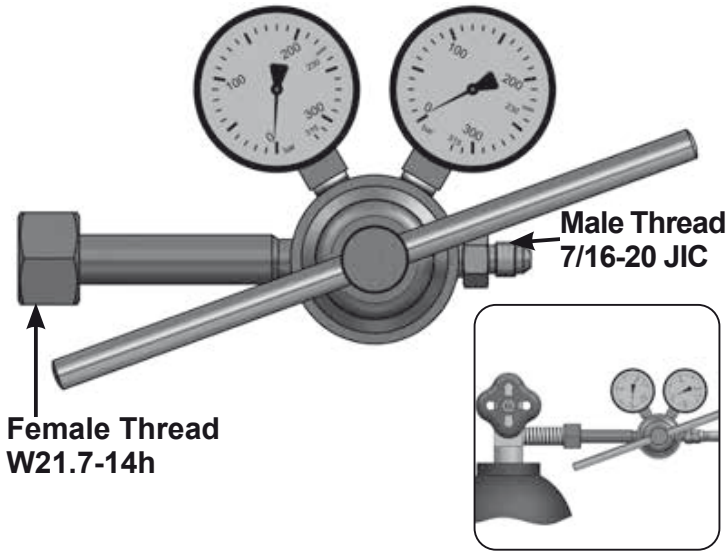
NITROGEN TANK		MALE THREAD		NITROGEN TANK		FEMALE THREAD	
THREAD		TANK ADAPTER		THREAD		TANK ADAPTER	
W24,32x1/14"	AC 210		W24,32x1/14" / W21,7x1/14"	W22x1/14"	AC 220		W22x1/14" / W21,7x1/14"
G3/4"	AC 340		G3/4" / W21,7x1/14"	W24,32x1/14"	AC 230		W24,32x1/14" / W21,7x1/14"
G5/8"	AC 585		G5/8" / W21,7x1/14"	W21,7x1/14"	AC 270		W21,7x1/14" / W21,7x1/14"
				G3/8"	AC 380		G3/8" / W21,7x1/14"
				G5/8"	AC 580		G5/8" / W21,7x1/14"



SERVICE EQUIPMENT

Accessories

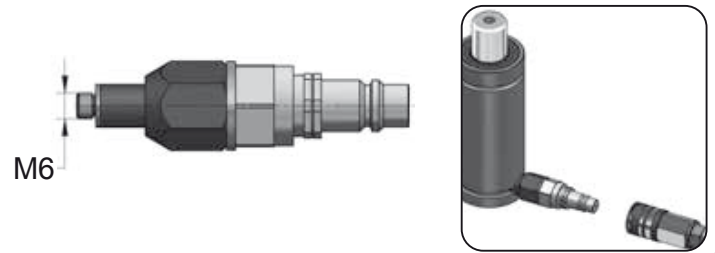
LTH 600



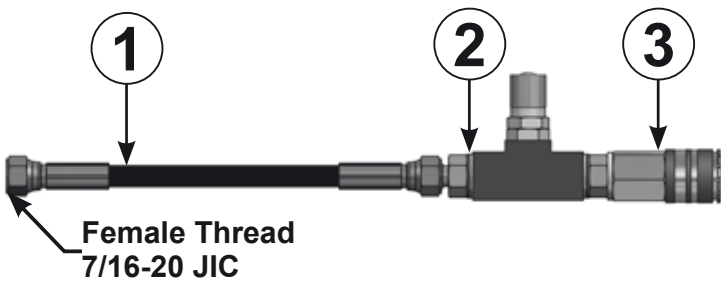
18 CG 1-Q



06 CG 2-Q



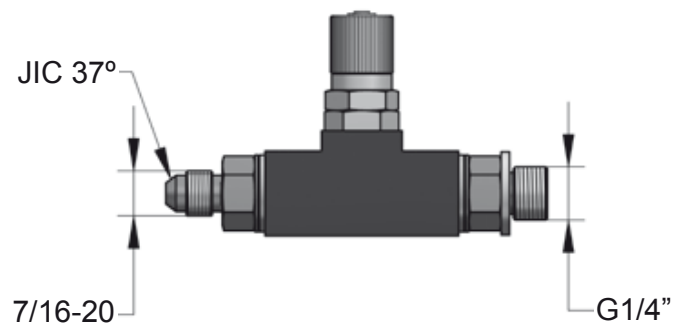
EC 38



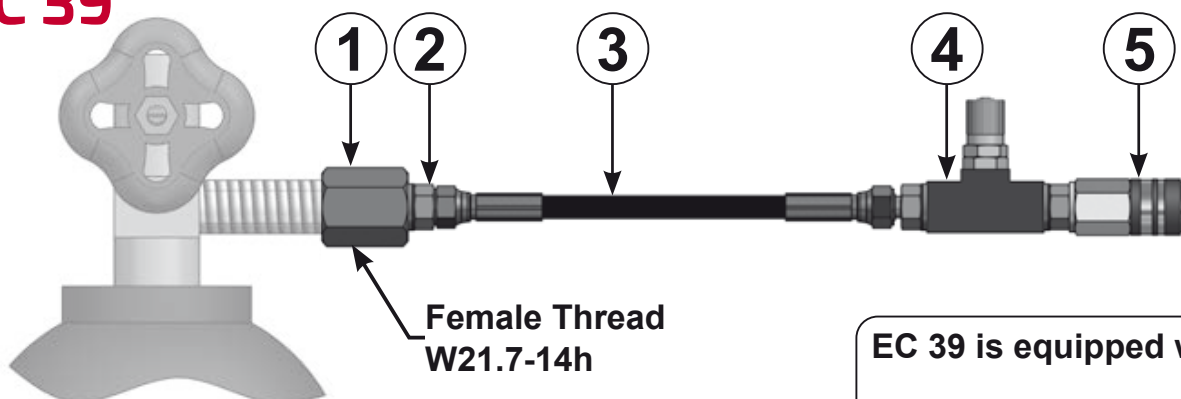
EC 38 is equipped with:

- 1-Hose **TFRR 3000**
- 2-Shut off valve **EC VP**
- 3-Female Quick Coupling **QCF 1/4**

EC VP



EC 39

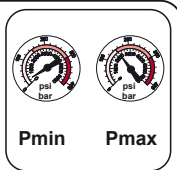


EC 39 is equipped with:

- 1-Adapter **AC 500**
- 2-Adapter **7RM2**
- 3-Hose **TFRR 3000**
- 4-Shut off valve **EC VP**
- 5-Female Quick Coupling **QCF 1/4**



Only to be used with a gauge



NOTES





NOTES